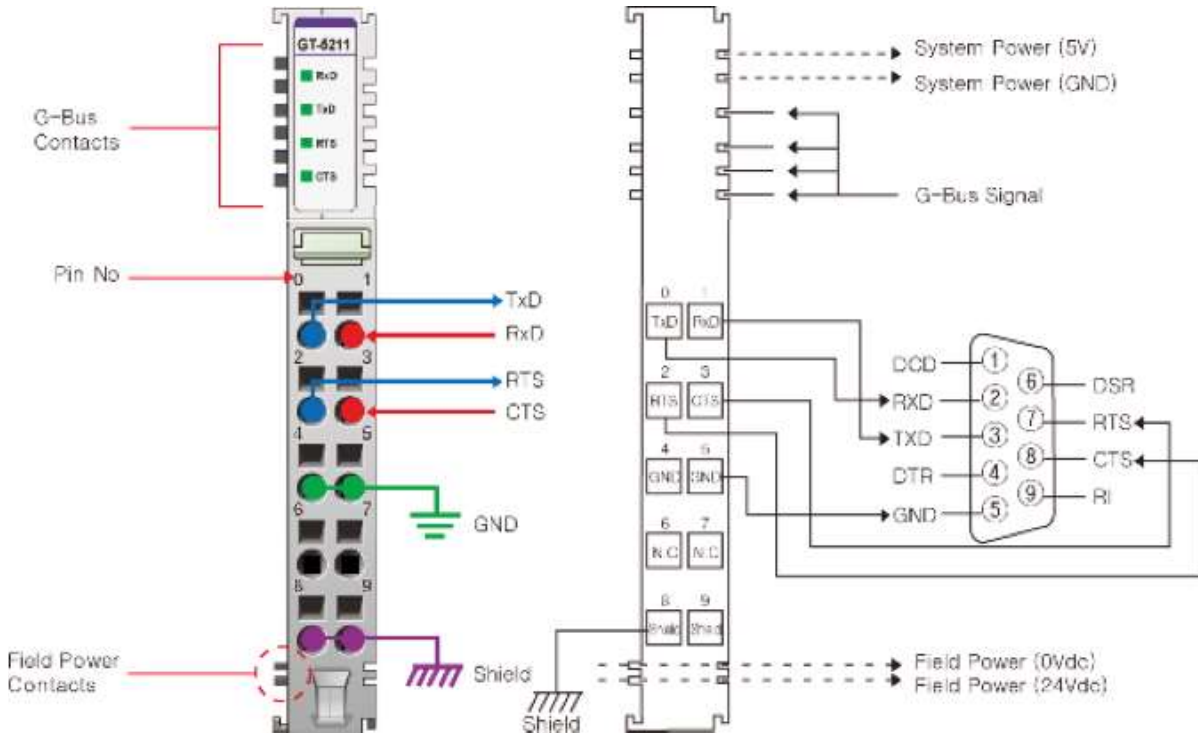


2.2. GT-52xx

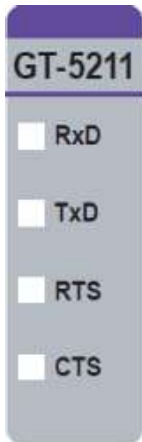
2.2.1. GT-5211

2.2.1.1. Wiring Diagram



Pin No.	Signal Description	Signal Description	Pin No.
0	TxD	RxD	1
2	RTS	CTS	3
4	Common(GND)	Common(GND)	5
6	N.C	N.C	7
8	Shield	Shield	9

2.2.1.2. LED Indicator



LED No.	LED Function / Description	LED Color
RxD	Received Data	Green
TxD	Transmit Data	Green
RTS	Request-to-send	Green
CTS	Clear-to-send	Green

2.2.1.3. Channel Status LED

LED	Color	Status
RxD	GREEN	Received Data
TxD	GREEN	Transmit Data
RTS	GREEN	Request-to-send
CTS	GREEN	Clear-to-send

2.2.6. Specification

Items	GT-5211	GT-5212	GT-5221	GT-5231	GT-5232
Specification					
Transfer Channels	TxD, RxD, Full Duplex			TxD, RxD, Half Duplex	
Transfer Rate	1200bps~115200bps				
Data Bit	8bit				
Parity Bit	None, Odd, Even(*Default : None)				
Stop Bit	1bit, 2bit (*Default : 1bit)				
Flow Control	RTS,CTS	-			
Bit Distortion	<1.6%		-		
Connection	10 RTB				
Cable Type	Shield Cable Recommended.				
Cable Length	Max.15m		1km twisted pair		
Low Signal Voltage	-18V ~ -3V		-		
High Signal Voltage	3V ~ 18V		-		
Data Buffer	IO User data 14 bytes	IO User data 12 bytes	IO User data 14 bytes		IO User data 12 bytes
	IO size changed Max. 62 bytes	Control/Status 2 bytes	IO size changed Max. 62 bytes		Control/Status 2 bytes
	Control/Status 1 byte, Rx/Tx Length 1 byte	Rx/Tx Length 2 bytes	Control/Status 1 byte, Rx/Tx Length 1 byte		Rx/Tx Length 2 bytes
RXD Buffer	1024bytes				
TXD Buffer	1024bytes				
Line Impedance	-		120Ω		
Input Image Size	16 bytes (*Default) @ Max. 63 bytes	16 bytes @ Default_2 channels	16 bytes (*Default) @ Max. 63 bytes		16 bytes @ Default_2 channels
Output Image Size	16 bytes (*Default) @ Max. 62 bytes	16 bytes @ Default_2 channels	16 bytes (*Default) @ Max. 62 bytes		16 bytes @ Default_2 channels
General Specification					
Power Dissipation	Max. 85mA @ 5.0Vdc				
Isolation	I/O to Logic : Isolation Logic to Field power : Isolation (Not used) Logic to System Power : Non-isolation				
Relative Humidity	5% ~ 90%				

	Non-condensing
Field Power	Not used (Field Power is bypass)
Wiring	I/O Cable Max. 2.0mm ² (AWG 14)
Weight	57g
Module Size	12mm x 99mm x 70mm
Environment Condition	Refer to 'Environment Specification'

3. Environment Specification

Environmental specification	
Operating Temperature	-40°C~70°C
UL Temperature	-20°C~60°C
Storage Temperature	-40°C~85°C
Relative Humidity	5% ~ 90% non-condensing
Mounting	DIN rail
General specification	
Shock Operating	IEC 60068-2-27
Vibration Resistance	Based on IEC 60068-2-6 Sine Vibration - 5 ~ 25Hz : ±1.6mm - 25 ~ 300Hz : 4g - Sweep Rate : 1 Oct/min, 20 cycles Random Vibration - 10 ~ 40 Hz : 0.0125 g ² /Hz - 40 ~ 100 Hz : 0.0125 → 0.002 g ² /Hz - 100 ~ 500 Hz : 0.002 g ² /Hz - 500 ~ 2000 Hz : 0.002 → 1.3 x 10 ⁻⁴ g ² /Hz - Test time : 1hrs for each test
Industrial Emissions	EN61000-6-4/All : 2011
Industrial Immunity	EN 61000-6-2 : 2005
Installation Pos. / Protect. Class	Variable/IP20
Product Certifications	CE, UL